

1

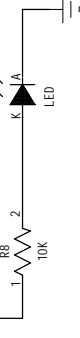
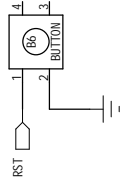
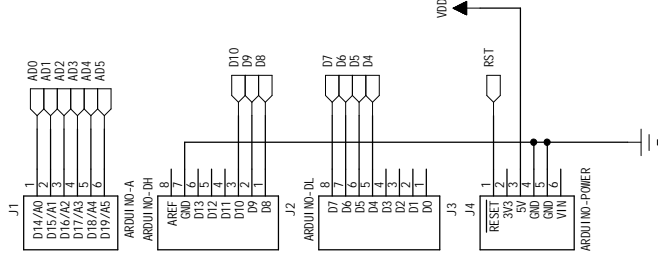
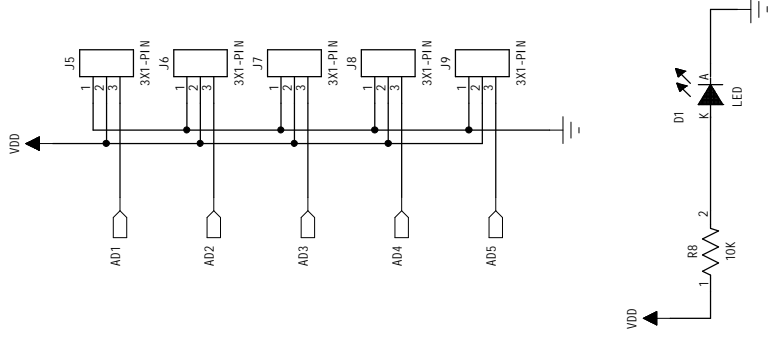
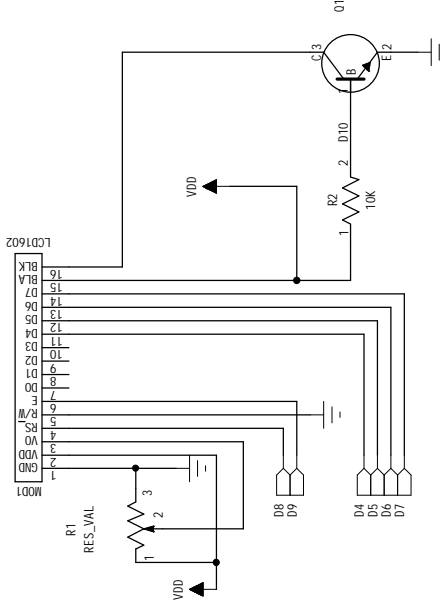
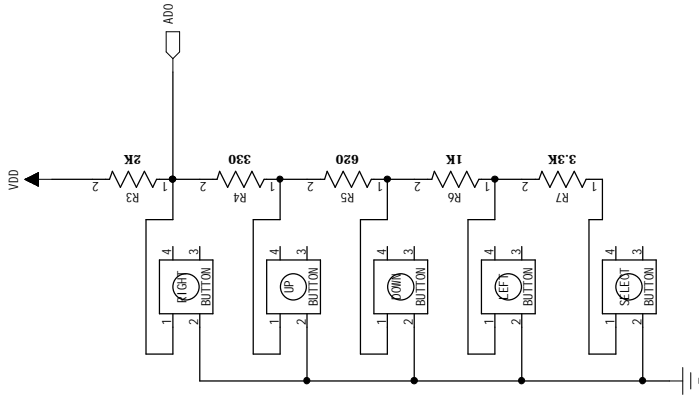
2

3

4

5

6



D

C

B

D

C

B

Company:

Project Name:

Rev:

Sheet Name: <undefined>

Designed by

File Name: Icd1602\_shield\_schize:B

Date :

Page Num: 1 of 1

A

A